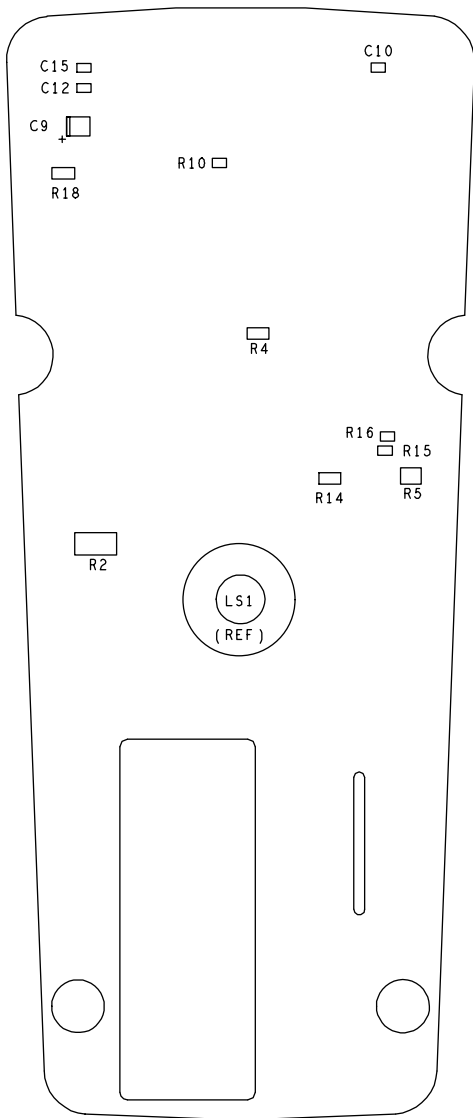
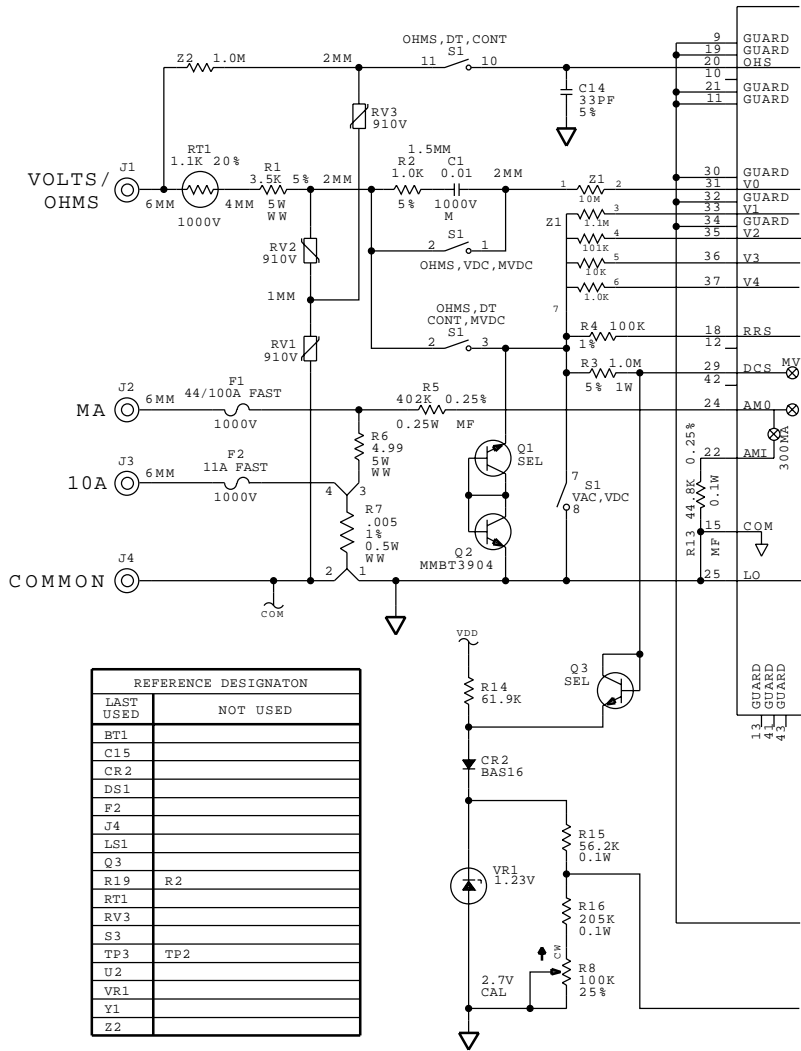
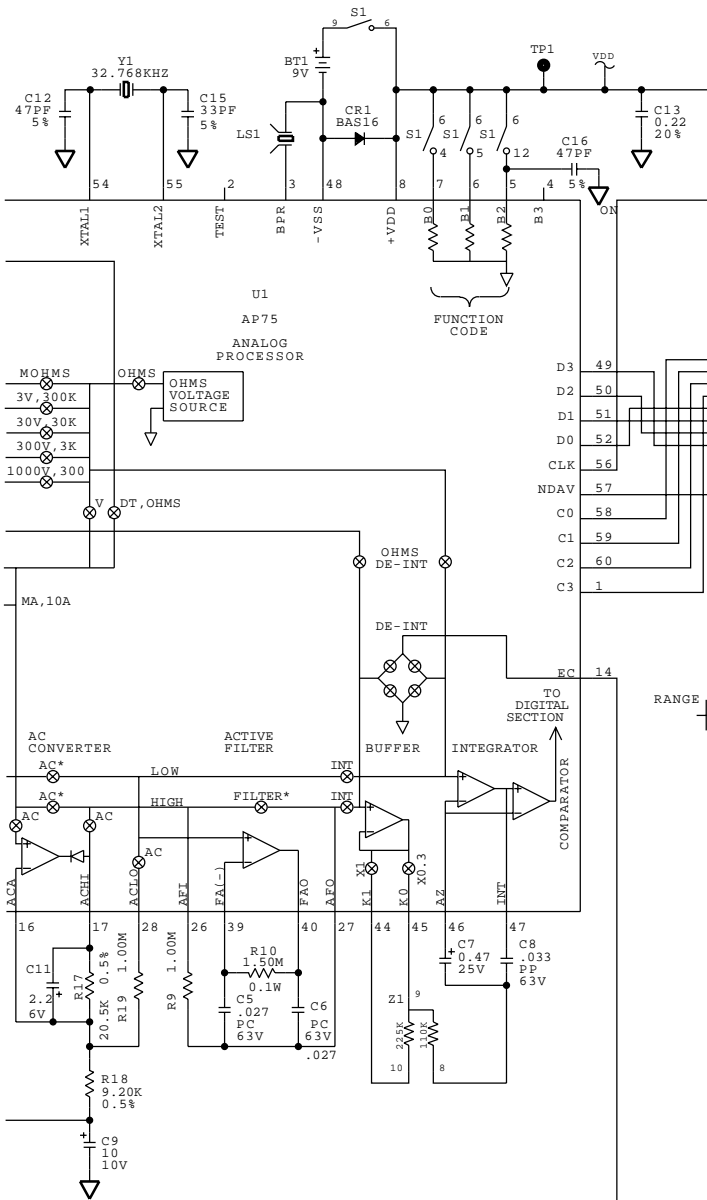


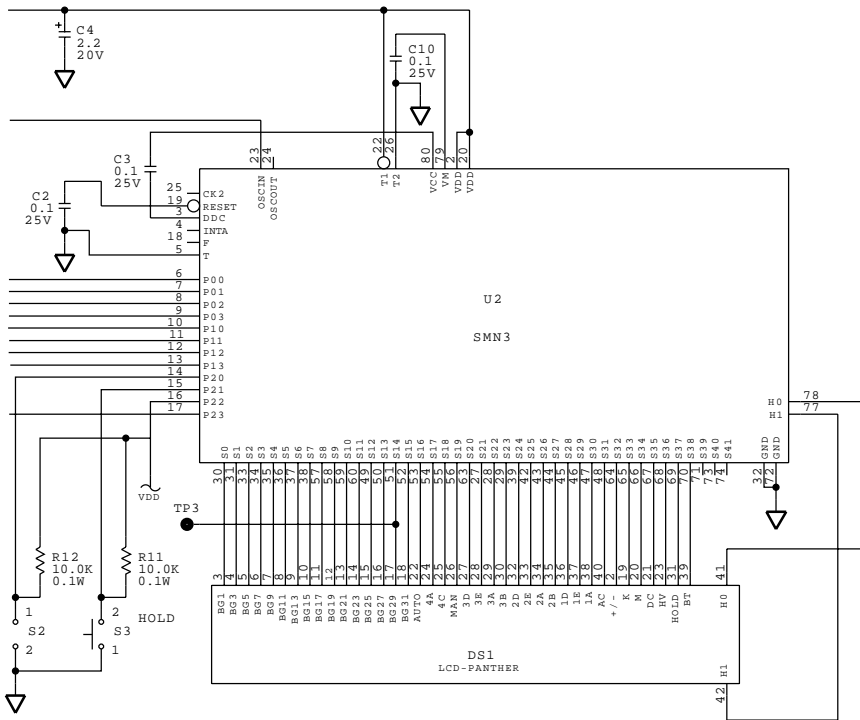
CIRCUIT 4 REFERENCE DESIGNATION VIEW





REFERENCE DESIGNATION	
LAST USED	NOT USED
BT1	
C15	
CR2	
DS1	
F2	
J4	
LS1	
Q3	
R19	R2
RT1	
RV3	
S3	
TP3	TP2
U2	
VR1	
Y1	
Z2	





S1 POSITIONS PRECEDING CLOCKWISE

FUNCTION	CODE*	B0	B1	B2
1 OFF	-	-	-	-
2 AC VOLTS	0	1	1	1
3 DC VOLTS	0	1	1	1
4 300 MVDC	0	0	0	0
5 OHMS	0	0	0	1
6 DIODE TEST/CONTINUITY	1	0	0	0
7 AC CURRENT	1	1	0	0
8 DC CURRENT	0	1	0	0

*1=VDD
0=COMMON

M DESIGNATES MYLAR/POLYESTER FILM CAPACITOR
 CER DESIGNATES CERAMIC CAPACITOR
 TA DESIGNATES TANTALUM CAPACITOR
 PF DESIGNATES POLYPROPYLENE CAPACITOR
 PC DESIGNATES POLYCARBONATE CAPACITOR
 WW DESIGNATES WIRE WOUND RESISTOR
 MG DESIGNATES METAL GLAZE RESISTOR
 MF DESIGNATES METAL FILM RESISTOR
 CERM DESIGNATES CERMET FILM RESISTOR