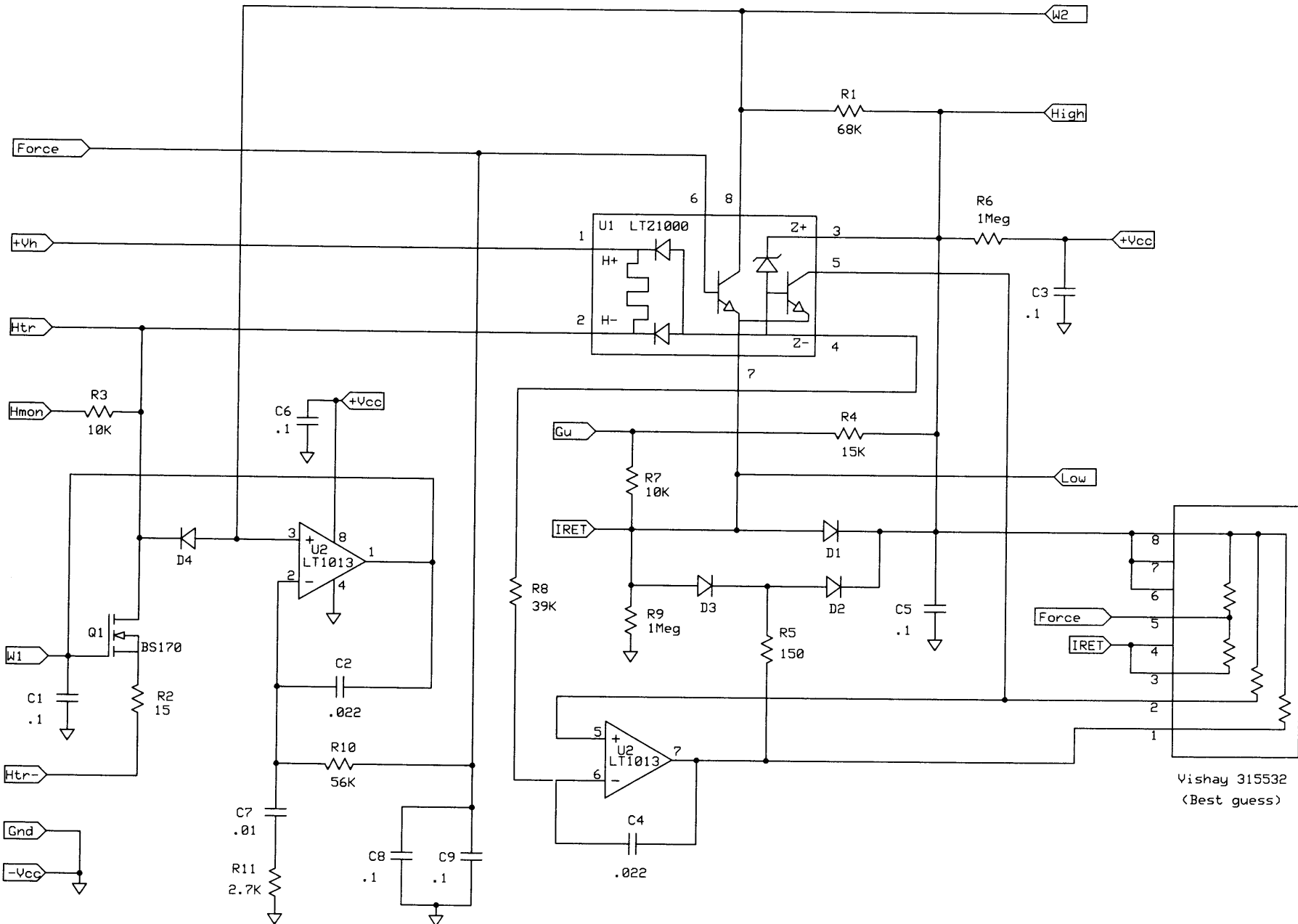


Guard traces around U2 5,6,7, Vishay-U2 traces, Hi, Low, and W2 pins to Force



Vishay 315532
(Best guess)

Datron 4910/11/12 Reference Assy