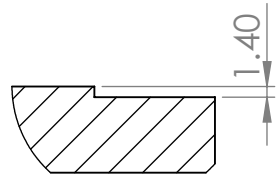
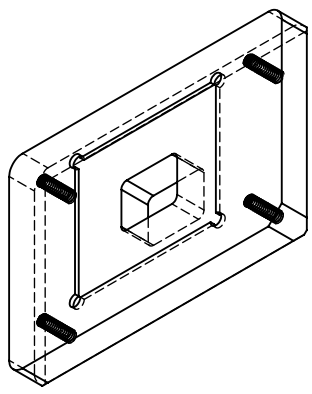


SECTION A-A
SCALE 1 : 2



DETAIL B



UNLESS OTHERWISE SPECIFIED:
DIMENSIONS ARE IN MILLIMETERS
SURFACE FINISH:
TOLERANCES:
LINEAR:
ANGULAR:

FINISH:

DEBURR AND
BREAK SHARP
EDGES

DO NOT SCALE DRAWING

REVISION

Units are mm

	NAME	SIGNATURE	DATE
DRAWN	tin	4/20/2017	
CHK'D			
APPV'D			
MFG			
Q.A			

TITLE:	Project Tazewell, part 3	
MATERIAL:	AL-6061 Aluminum	DWG NO. base_delid
WEIGHT:		A4
SCALE: 1:1		SHEET 1 OF 1