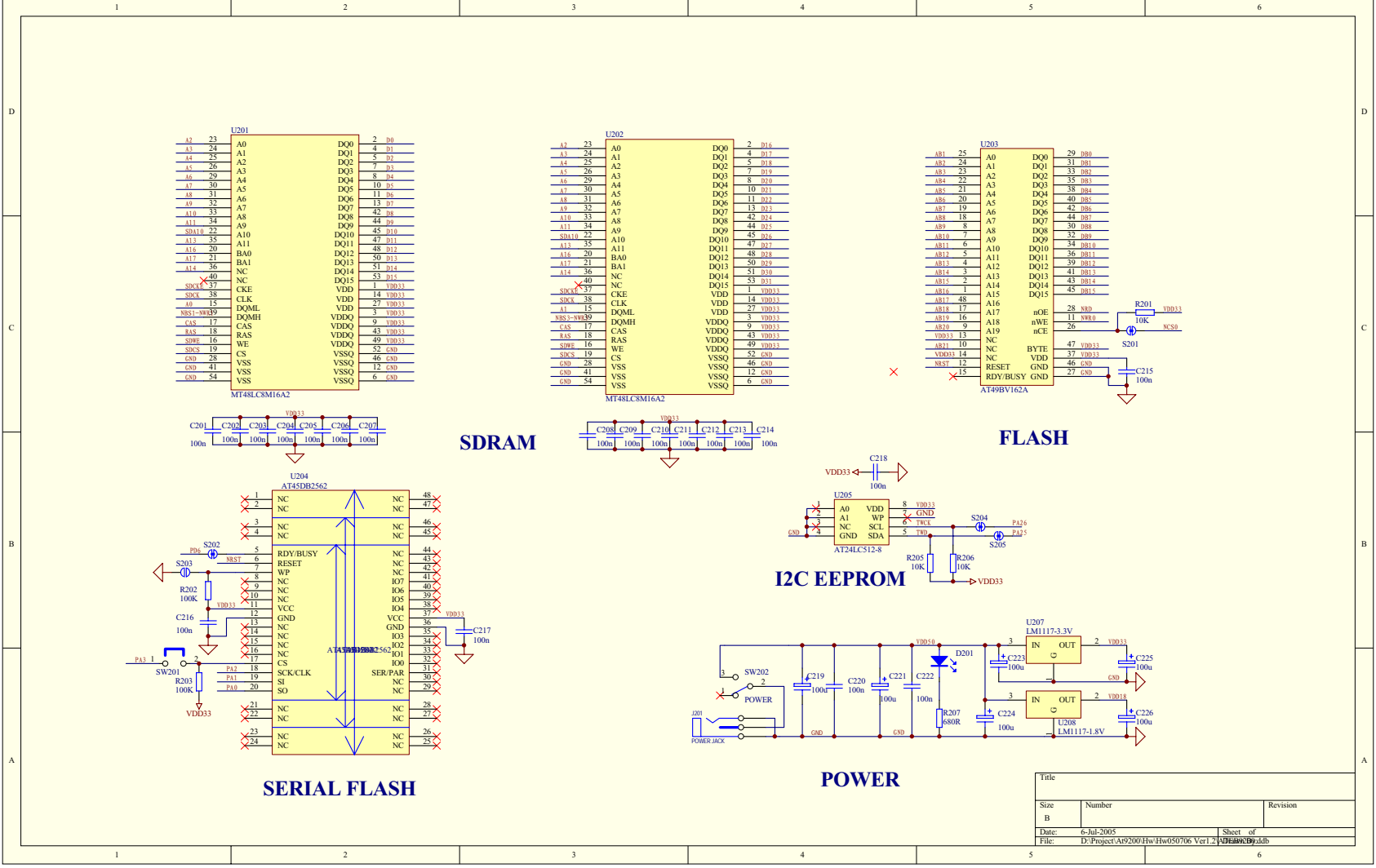
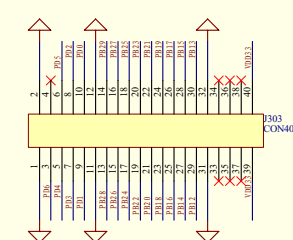
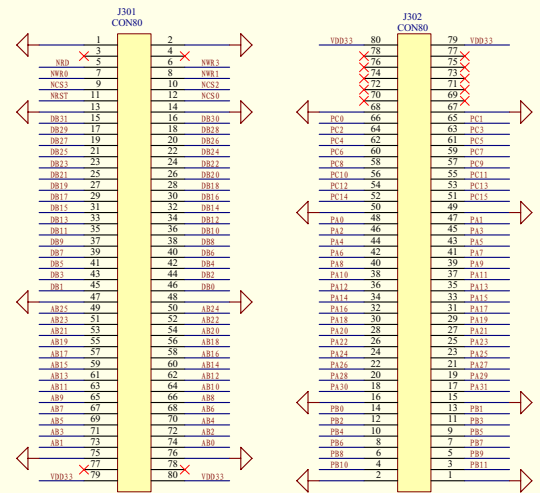
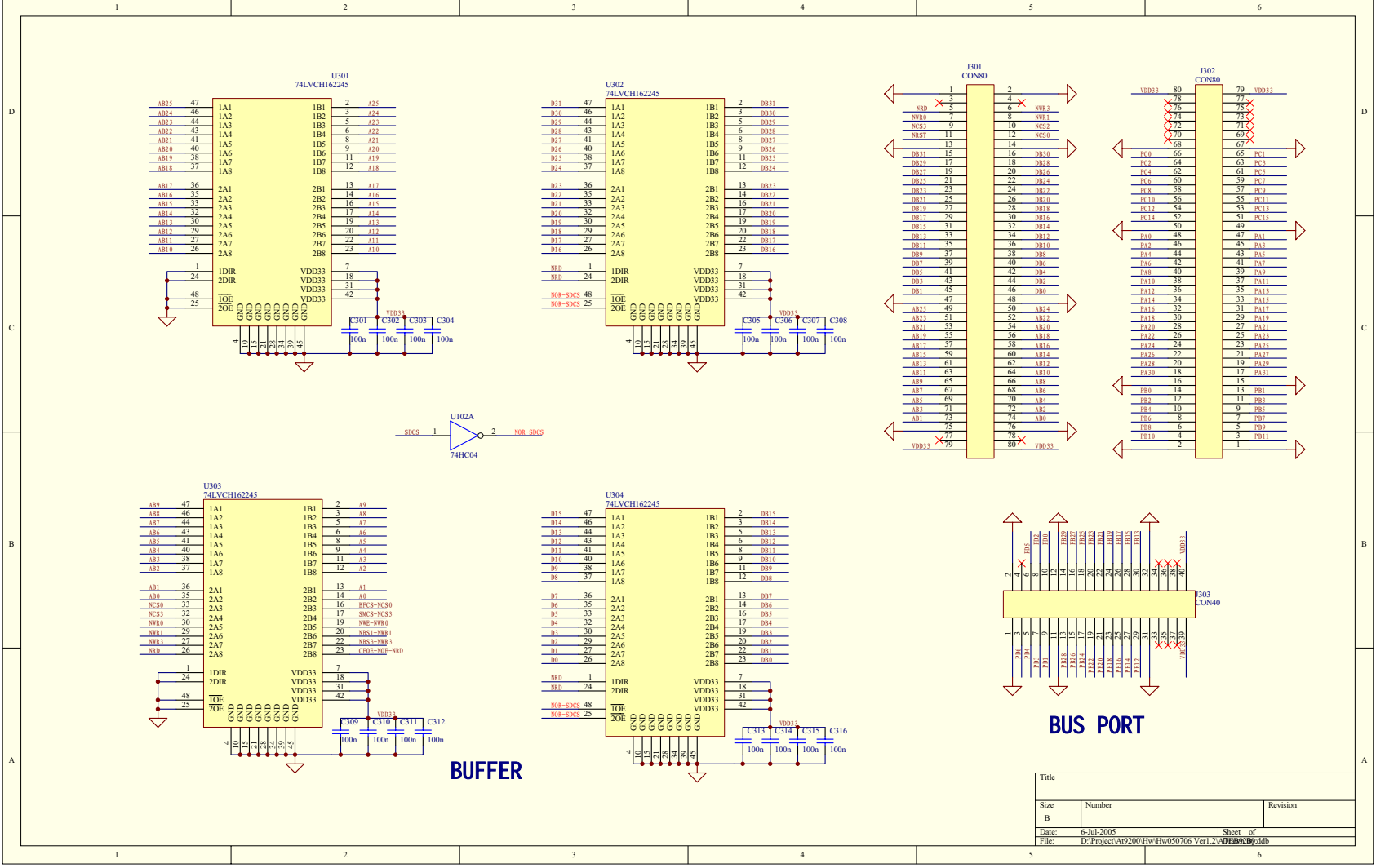


Rev	Size	Number	Revision
1	B		

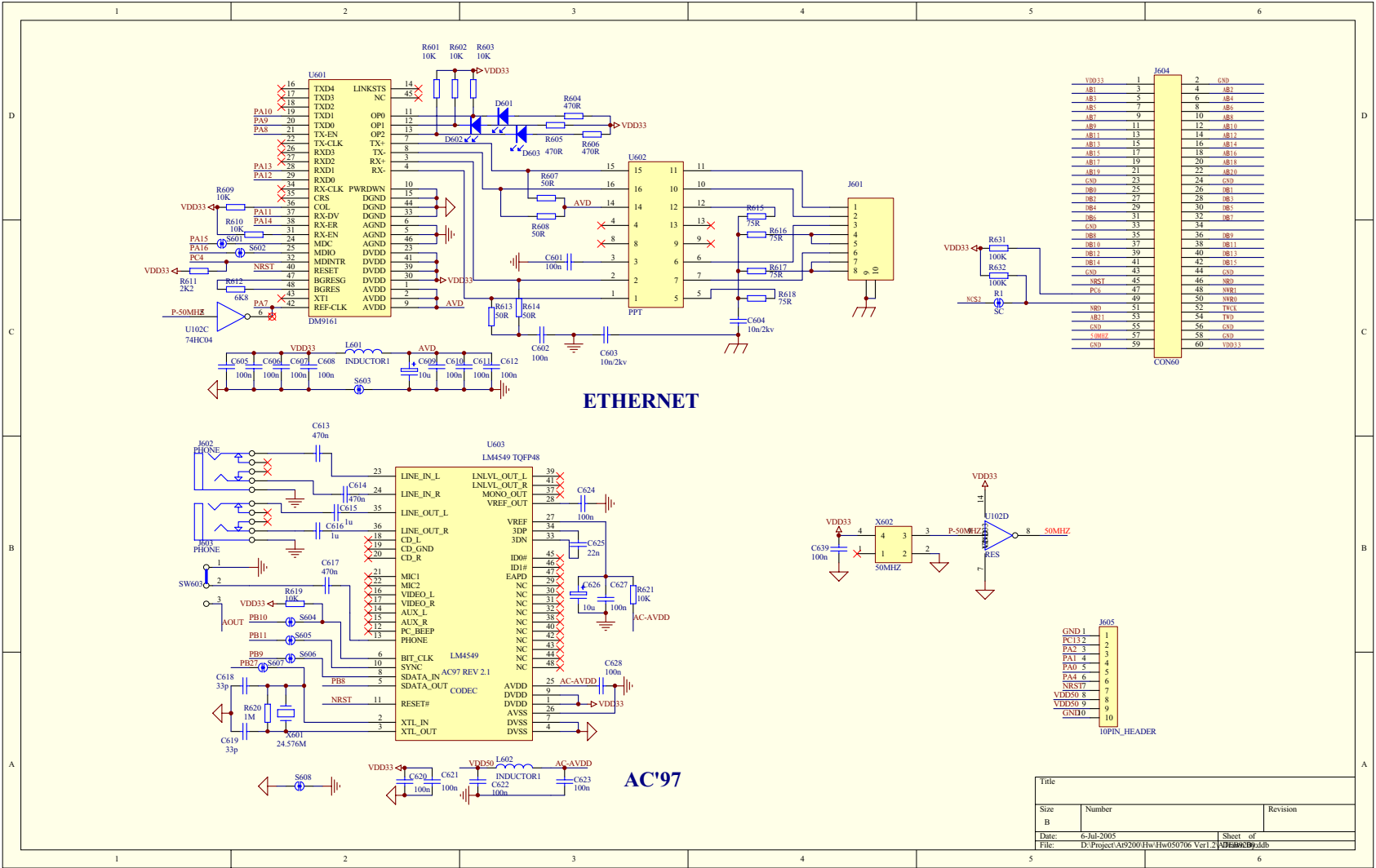


Title		
Size	Number	Revision
B		
Date:	6-Jul-2005	Sheet of
File:	D:\Project\AP9200\Hw\Hw050706 Ver.1	U207.dwg



**BUS PORT**

Title		
Size	Number	Revision
B		
Date:	6-Jul-2005	Sheet of
File:	D:\Project\AP92001\Hw\Hw050706 Ver.2	U301BU.ddb



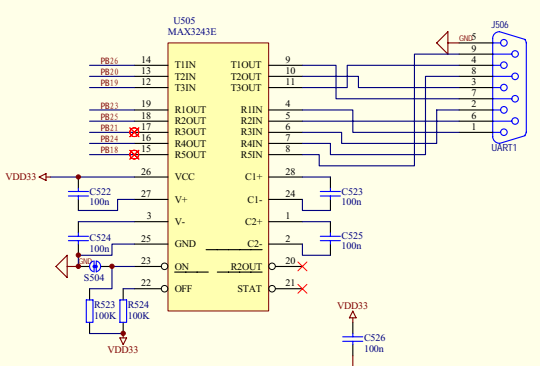
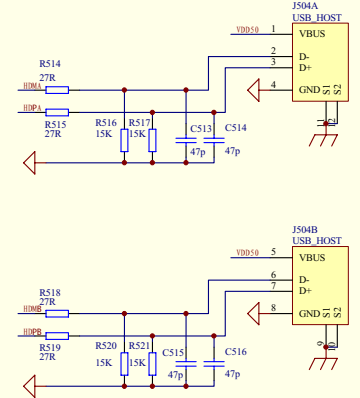
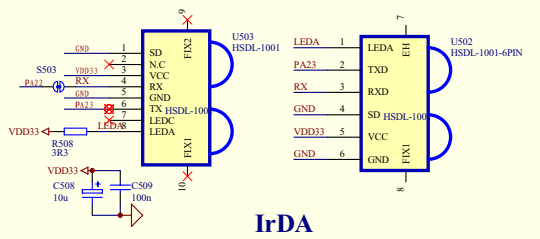
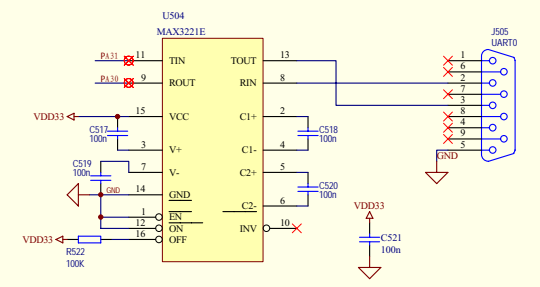
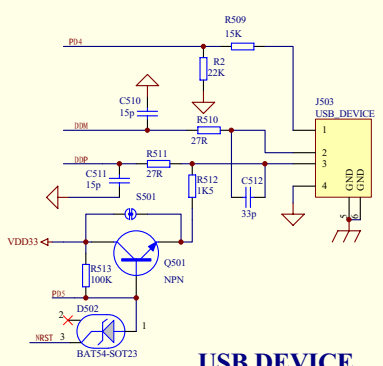
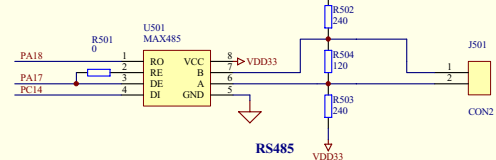
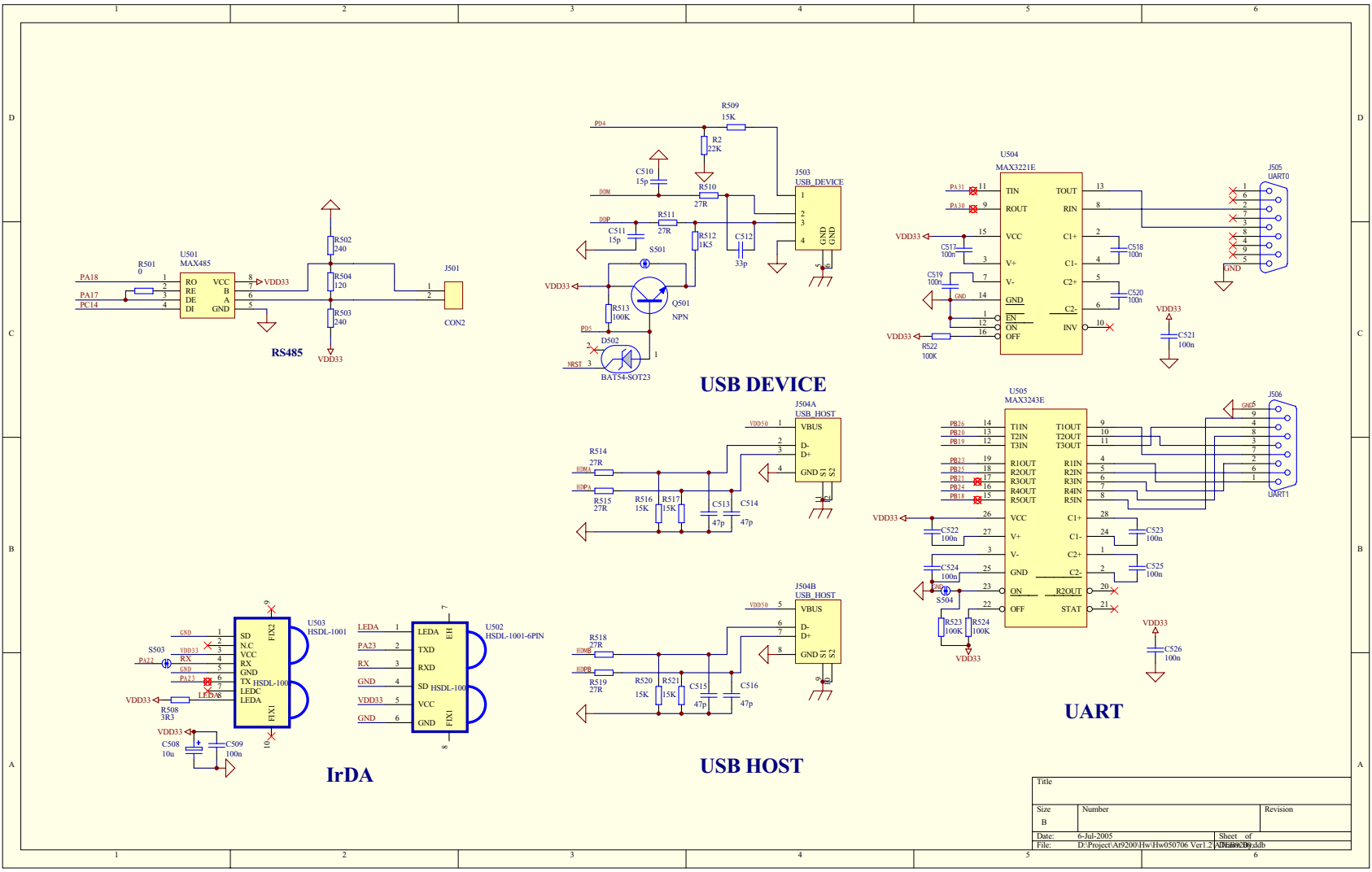
J604	
VDD33	1
AB1	3
AB2	4
AB3	5
AB4	6
AB5	7
AB6	8
AB7	9
AB8	10
AB9	11
AB10	12
AB11	13
AB12	14
AB13	15
AB14	16
AB15	17
AB16	18
AB17	19
AB18	20
AB19	21
AB20	22
AB21	23
AB22	24
AB23	25
AB24	26
AB25	27
AB26	28
AB27	29
AB28	30
AB29	31
AB30	32
AB31	33
AB32	34
AB33	35
AB34	36
AB35	37
AB36	38
AB37	39
AB38	40
AB39	41
AB40	42
AB41	43
AB42	44
AB43	45
AB44	46
AB45	47
AB46	48
AB47	49
AB48	50
AB49	51
AB50	52
AB51	53
AB52	54
AB53	55
AB54	56
AB55	57
AB56	58
AB57	59
AB58	60
AB59	VDD33

CON60

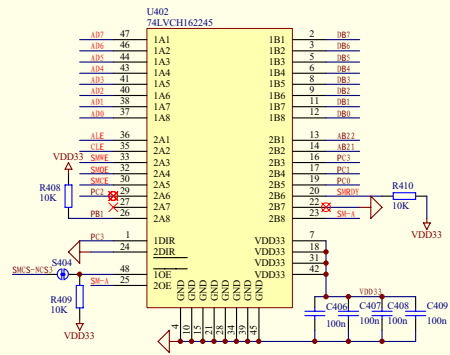
J605	
GND	1
PC132	2
PA2	3
PA1	4
PA0	5
PA4	6
PA5	7
PA6	8
PA7	9
PA8	10

10PIN\_HEADER

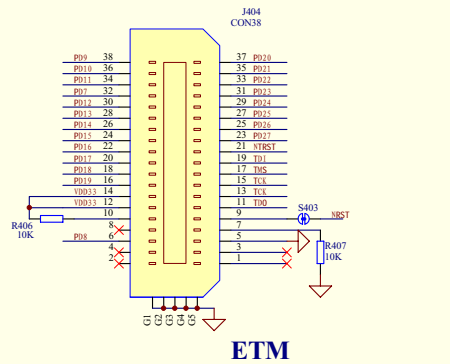
Title		
Size	Number	Revision
B		
Date:	6-Jul-2005	Sheet of
File:	D:\Project\AP9200\Hw\Hw050706_Ver.2	U601.dwg



Title		
Size	Number	Revision
B		
Date:	6-Jul-2005	Sheet of
File:	D:\Project\AP92001\Hw\Hw050706_Ver.1	2/10



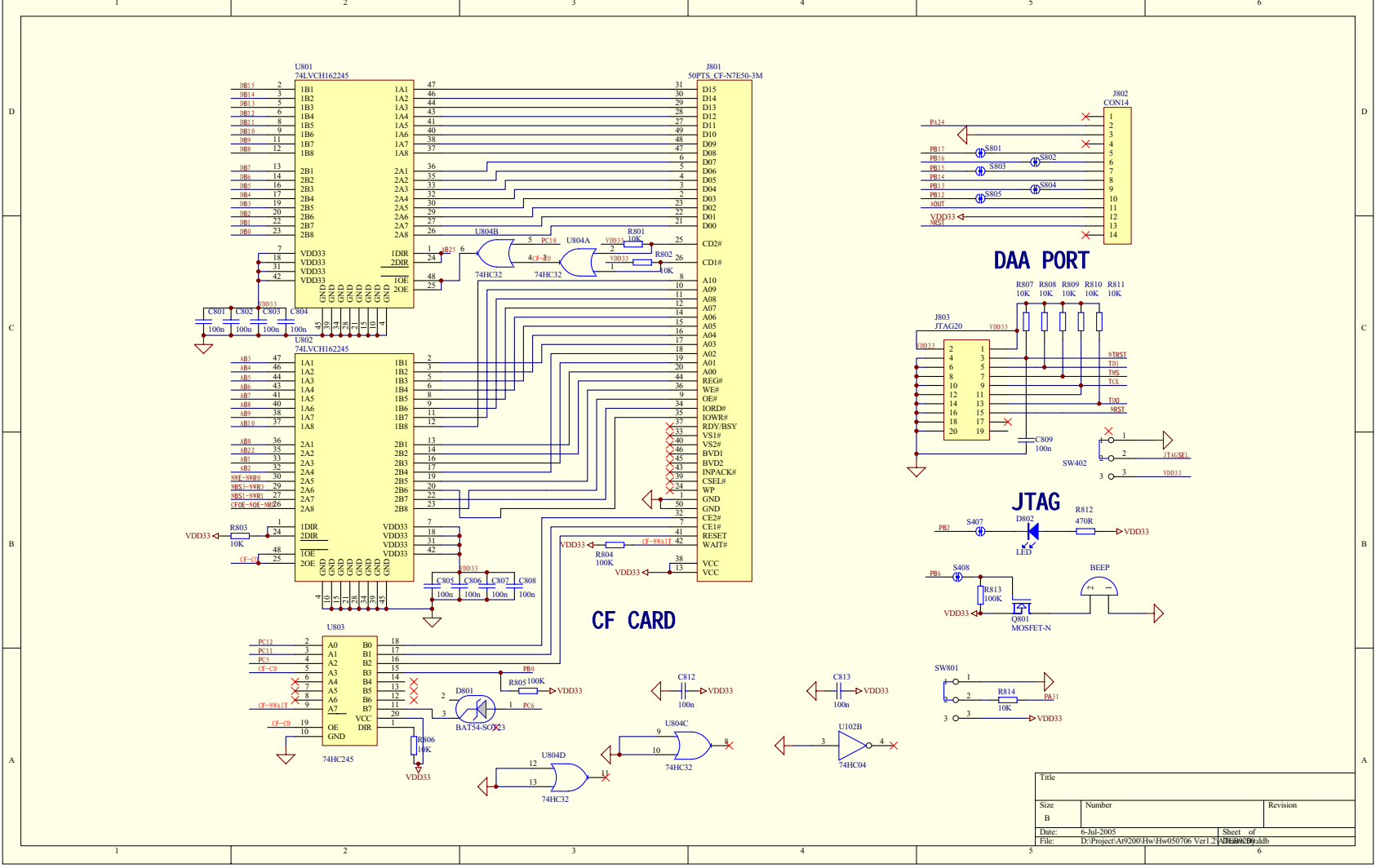
**SMART MEDIA**



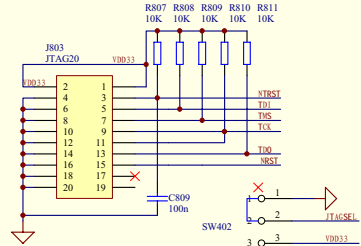
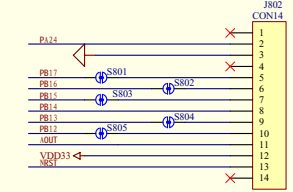
**ETM**

**MMC/SD CARD**

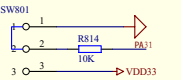
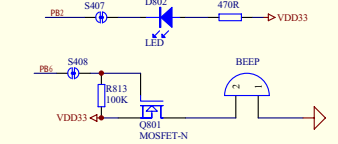
Title		
Size	Number	Revision
B		
Date:	6-Jul-2005	Sheet of
File:	D:\Project\AP92000\Hw\Hw050706 Ver.1.2	U:\EAGLE\B9.ddb



**DAA PORT**



**JTAG**



Title		
Size	Number	Revision
B		
Date:	6-Jul-2005	Sheet of
File:	D:\Project\AP92001\Hw\Hw050706_Ver.1	U801.ddb